

SAMCEN

Ideas For Communication

Fully Digital Flush-mounting Voting Unit

SCS-6170C SCS-6170D



Products picture



SCS-6170C

SCS-6170D

Features

- 1 With its artistic, taste and streamline design, able to fused together with any conference room
- 2 Using the metal wiredrawing craft, makes it strong and durable, it seems on quite the scale
- 3 Flush installation makes the meeting table more clean and tidy, presents rigorous and visual effect
- 4 Condenser MIC core, with two colors indicator
- 5 Power supply from main unit, 24V safety voltage input
- 6 Built-in loudspeaker, earphone interface and volume adjustment button(when the microphone startup, the built-in loudspeaker will closes automatically)
- 7 With voice control ability, the voice can turn on microphone, it does not need to press the microphone button by hand
- 8 Bring 2.1meters dedicated cable, increased reliability with "hand in hand" connection topology
- 9 System with function of automatic restoration, support "PnP"(Plug-and Play)
- 10 Chairman unit has priority to speak, it can close/ temporarily muting the delegate unit
- 11 Super powers of anti-electromagnetic and mobile phone interference
- 12 Microphone rods can be taken down during the recess, easy to maintain
- 13 Humanization design. There is different length MIC rods to choose, it is suitable for different height attendances
- 14 LCD display shows congressional information and status of equipment
- 15 Connect to camera can realize the function of camera auto-tracking
- 16 5 keys for voting and electing
- 17 Without software, chairman can launch a simple vote:
 - a) Sign in, elect 1/3, elect1/5, vote and score, the result will be displayed on LCD screen
- 18 With SAMCEN professional software:
 - A) Sign in, elect 1/3, elect1/5, vote and score
 - b) The list of candidate and attendance, result of sign in, the bill title and details display on the main screen and the second screen
 - c) Check the problem unit and find out who do not sign in
 - d) Display the result of voting in the form of data or chart and print out

Specifications

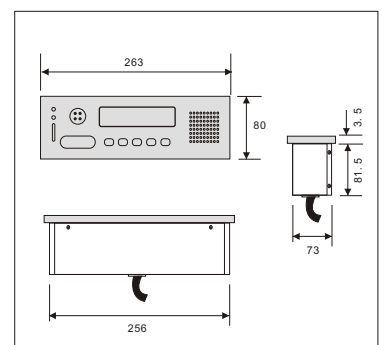
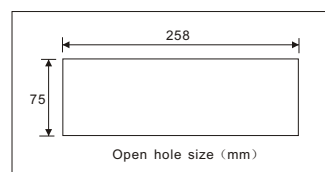
Model	SCS-6170C/D
Power supply	DC24V supplied by the control host
Intercommunication	DIN 8-pole
Power consumption	3W
Loudspeaker power	1.2W
Transducer type	Electret condenser
Directional pattern	Cardioid
SNR	> 80dB
Crosstalk attenuation at 1k Hz	> 80dB
Distortion	<0.10%
Frequency response	60~12KHz
Equivalent noise	≈20dB SPL
Maximum SPL	105dB(3% threshold)
Sensitivity	-22dBV/Pa

Projects



Open hole size

Product size (mm)



Deep